

Sure Eject™

120V AC Shore Power Disconnect
7850 (15A) / 7851 (20A)

Automatic AC disconnect ejects power cord upon ignition to prevent damage

- Motor driven design ensures years of reliable operation
- The ejection piston is self-recessing, with no cocking required
- Keyed plug design allows for easy insertion
- Anti-arcing design on insertion and ejection
- LED indicates the presence of AC power and ejection alerts
- Automatically attempts additional ejections if needed
- Compatible with existing 15A and 20A connectors in the station
- Standard mounting holes for easy retrofit
- Connectors included: 7840 (15A) or 7841 (20A)
- Label kit included

- 6 color covers available: 7820 Yellow (included) 7821 Red
7822 Black 7823 White
7824 Blue 7825 Gray

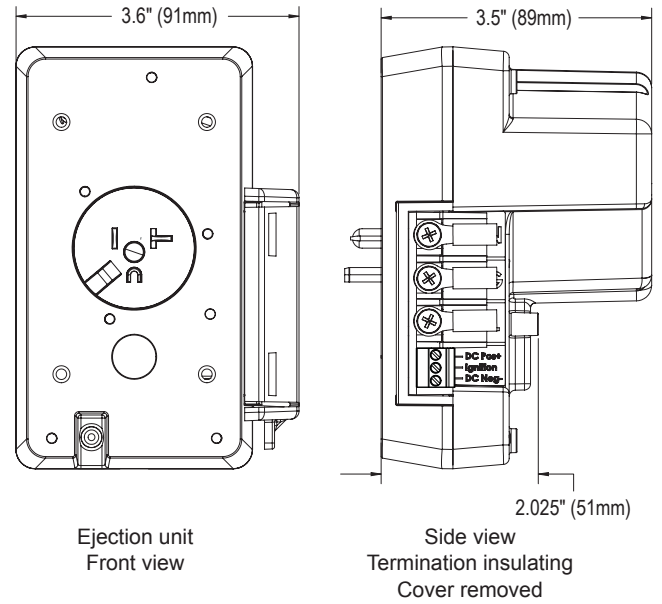
Specifications

Operating Voltage Range	8V–16V DC
Nominal Voltage	120V AC
Installation Screws	#8-32 x 1.0" (Max. Torque: 11 in-lb)
Termination Screws	#8-32 (Max. Torque: 16 in-lb)

Accessory packs include:

- (1) Dielectric synthetic grease NyoGel760G™ (2 gram)
Periodically apply a small amount of dielectric grease to protect and lubricate 120V AC Connector (female) or Ejection Unit (male) electrical contacts.
- (1) Label kit (5 labels)
- (5) #8-32 x 1" installation screws
- (1) #8-32 x 5/16" termination screw
- (1) Three position plug (3.5mm)
- (3) 12-10 AWG Nylon insulated ring terminals

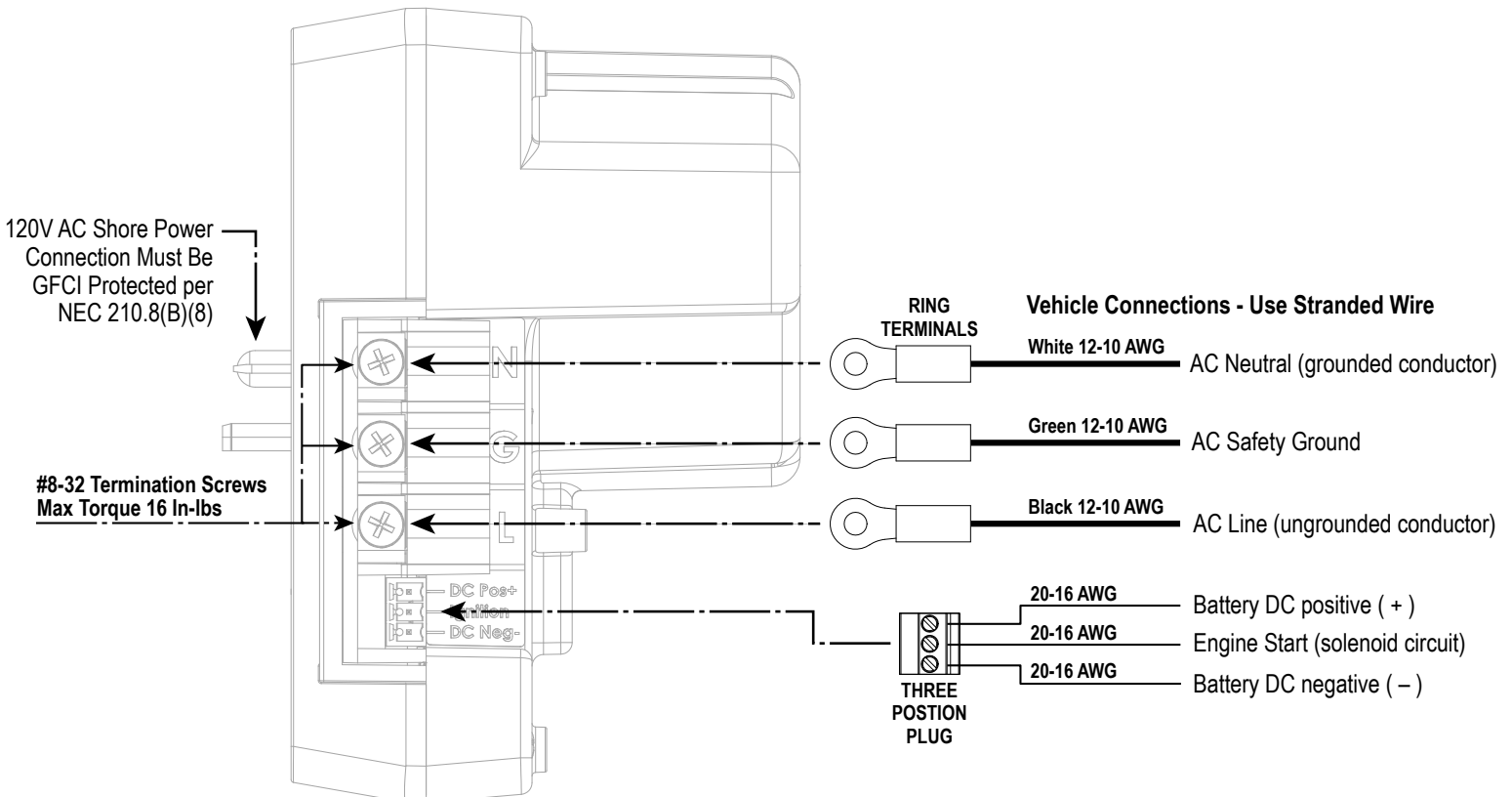
Dimension Drawing



Blue Sea Systems Inc.
425 Sequoia Drive
Bellingham, WA 98226 USA
p 360.738.8230
www.blueseasea.com

980026230 Rev. 002

Wiring Diagram



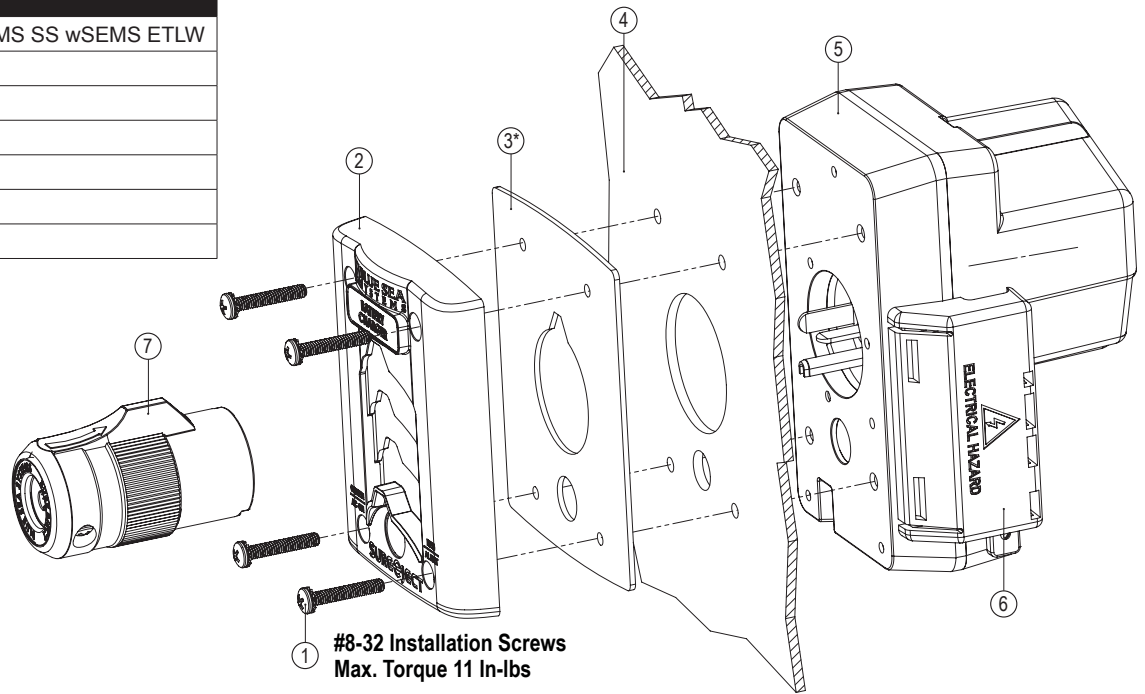
Installation and Mounting Diagram

Item	Description
1	Installation Screw #8-32 X 1PPHMS SS wSEMS ETLW
2	Cover
3	Gasket* Note: Qty. 2 included
4	Vehicle wall / mounting surface
5	Ejection unit
6	AC/DC termination cover
7	Connector 120V AC

WARNING:

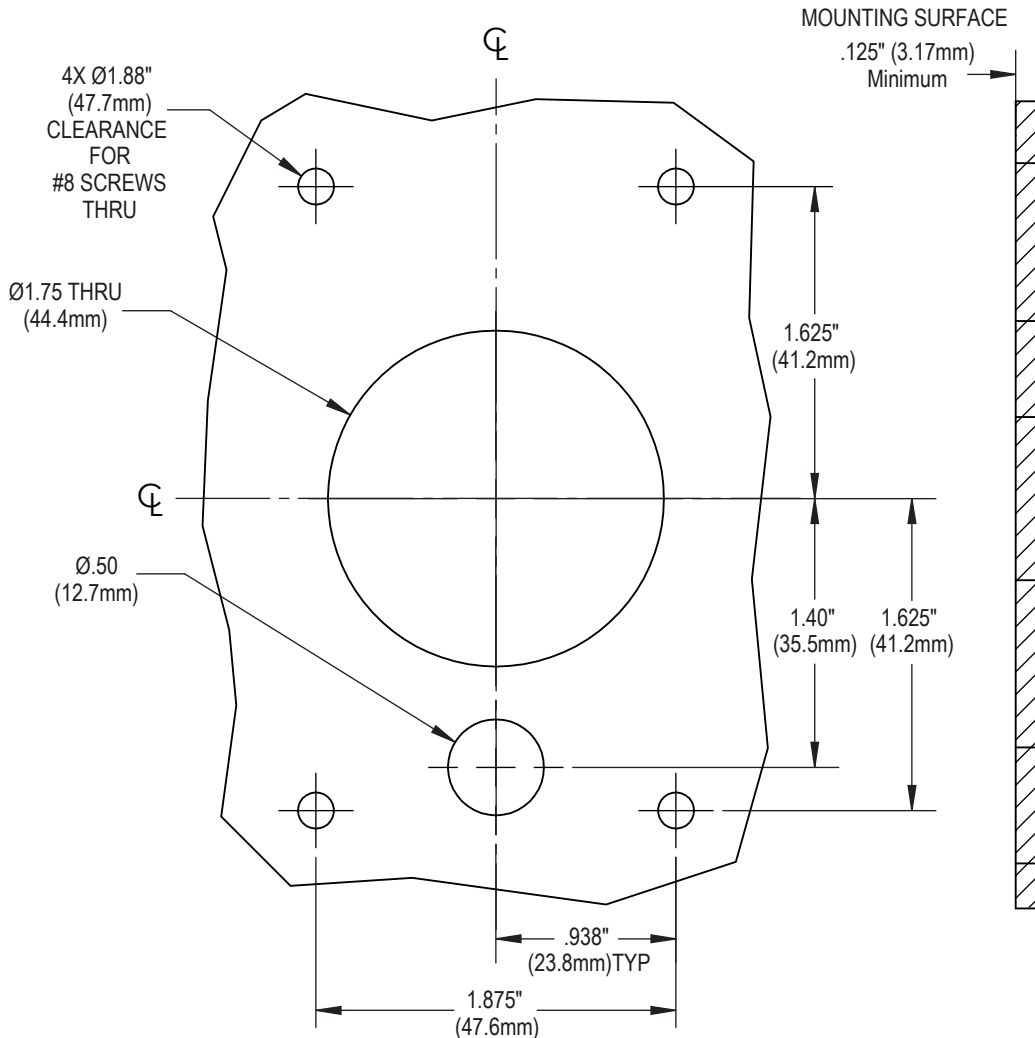
1. Sure Eject must be mounted vertically (+/- 15°) as shown, and in a nominally dry and protected location.
2. Connected wiring must include appropriate drip and service loops.
3. If ejection unit (Item 5) is mounted externally or exposed to weather elements, installation with a rear protective cover or weather shield is recommended.

Visit blueseas.com for more information.



#8-32 Installation Screws
Max. Torque 11 In-lbs

Cutout Template



CAUTION:

If vehicle wall / mounting surface material is less than 1/8" thick, shim with extra 1/16" thick gasket (included).

NOTE: If vehicle wall/mounting surface material is greater than 3/16", longer #8-32 screws may be needed for secure installation. Appropriate length screws required for your specific mounting wall thickness (see table below).

Do not use screws that will penetrate the Ejection Unit's mounting holes deeper than 3/8".

Wall Thickness	Screw Length
1/8" (3.2mm)	#8-32 x 1.0" (1") <i>included</i>
1/4" (6.4mm)	#8-32 x 1.125" (1-1/8")
3/8" (9.5mm)	#8-32 x 1.25" (1-1/4")
1/2" (13mm)	#8-32 x 1.375" (1-3/8")