

① Cassa strumento
Instrument case

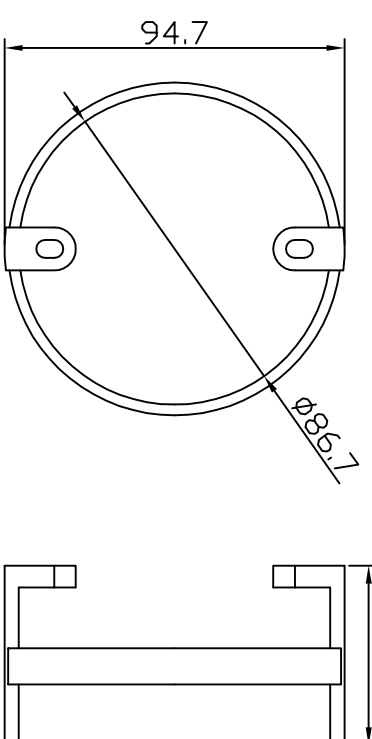
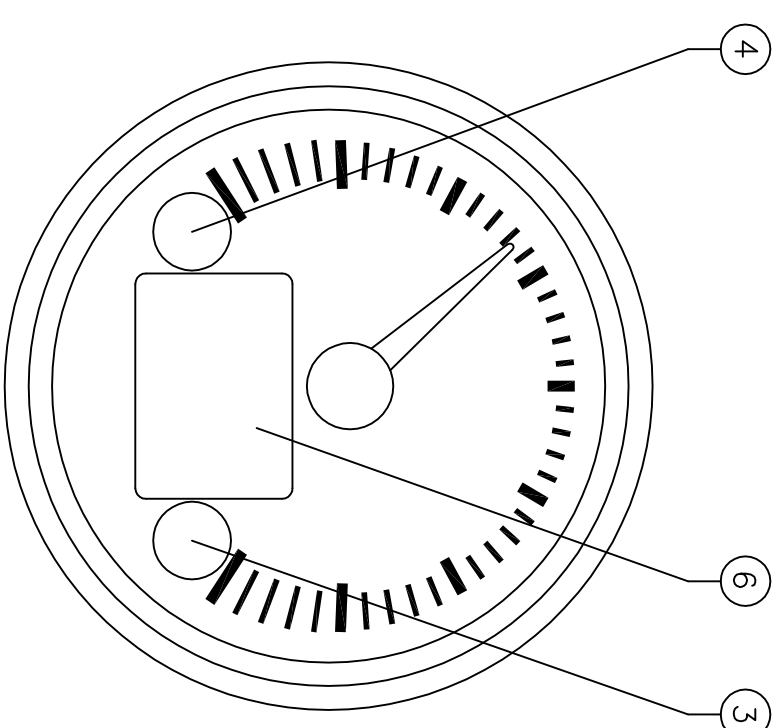
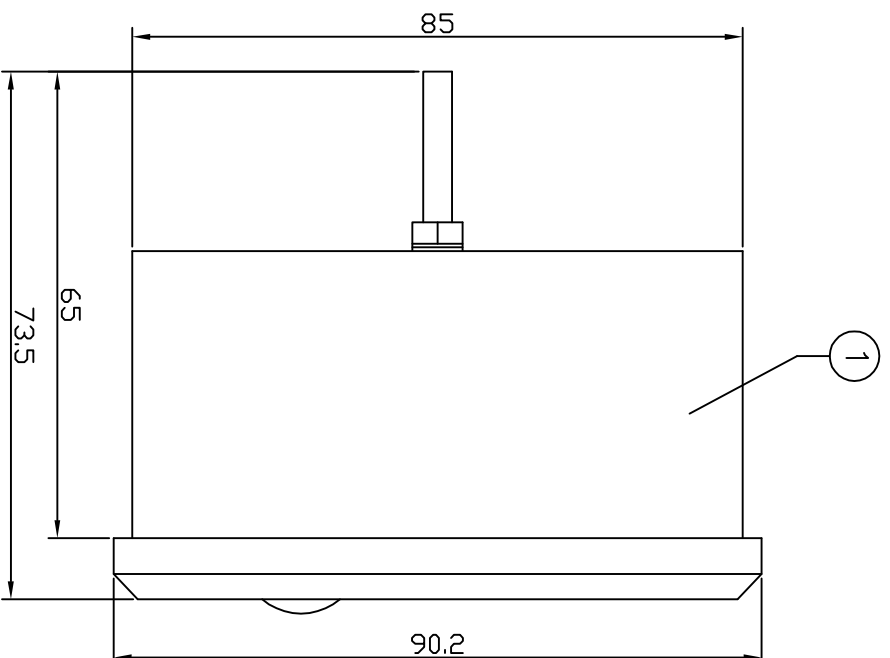
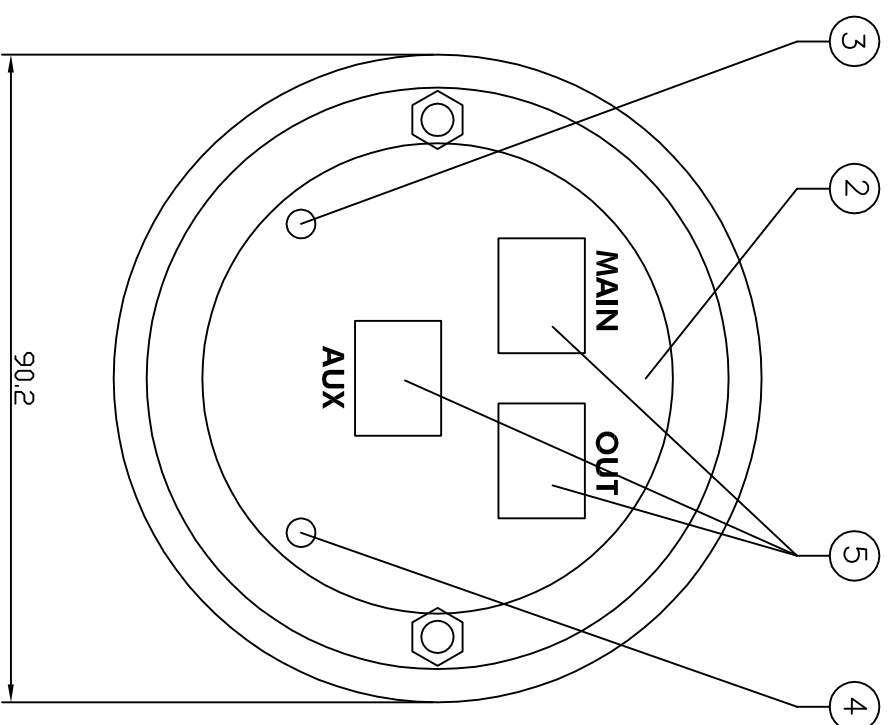
② Fondello
Rear of instrument

③ Pulsante UP
Push button UP

④ Pulsante DOWN
Push button DOWN

⑤ Connettore RJ45
RJ45 Connector

⑥ Display LCD
LCD Display



Dimensioni in mm / All dimensions are in mm

Rev: 0 Date: 29/01/16

Prima emissione

Descrizione modifiche - Description of changes:

SAN GIORGIO S.E.I.N. GENOVA - ITALY
Tel. 010-8301222 - www.sangiorgiosein.com



Dimensionale contagiri Omnilink serie Cromata 85mm
Dimensional tachometer Omnilink series Chrome 85mm

Number: D160202

Sheet: 1/1 Date: 29/01/16

Size: A3

Completed: Garsi P.

Checked: Manuelli M.

Approved: Manuelli M.