

THIS DRAWING AND THE INFORMATION CONTAINED WITHIN IT ARE CONFIDENTIAL AND MAY NOT BE COPIED OR DISCLOSED WITHOUT THE WRITTEN PERMISSION OF BLUE SEA SYSTEMS.

4

3

2

1

D

D

C

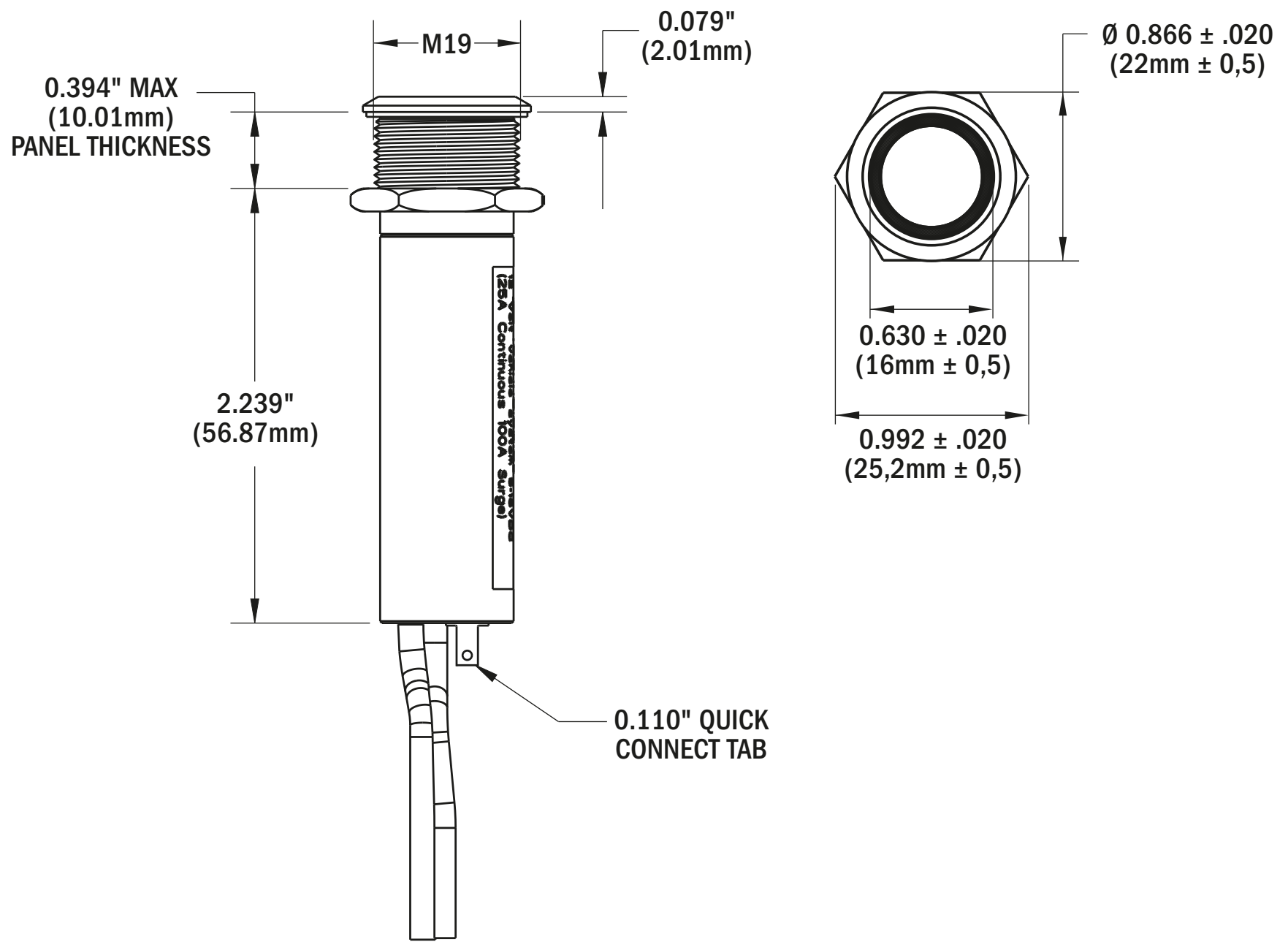
C

B

B

A

A



THIRD ANGLE PROJECTION



4

3

2

1

**BLUE SEA**  
SYSTEMS  
425 Sequoia Drive Bellingham, WA 98226  
Phone (360)738-8230 Fax (360)734-4195

**PUSH BUTTON LED RING SWITCHES**

Part Numbers 4190, 4191, 4192, 4193

SIZE <b>B</b>	DWG. NO.	REV. <b>0</b>
SCALE 1:1	WEIGHT: POUNDS	SHEET 3 OF 3