

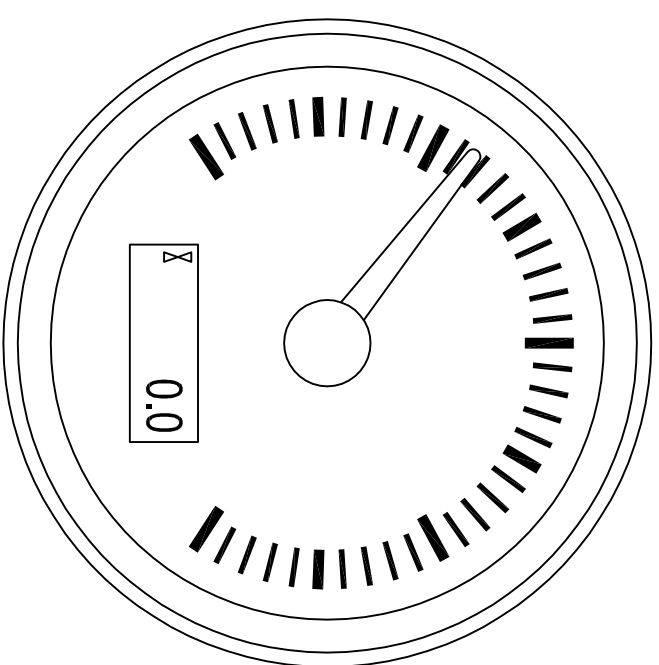
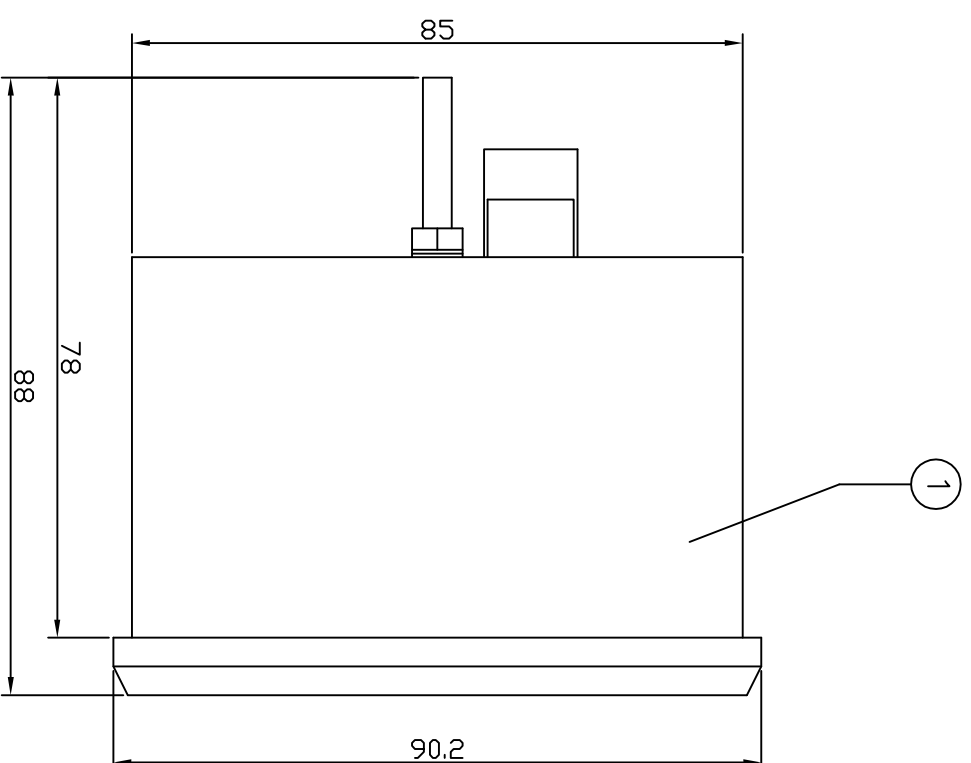
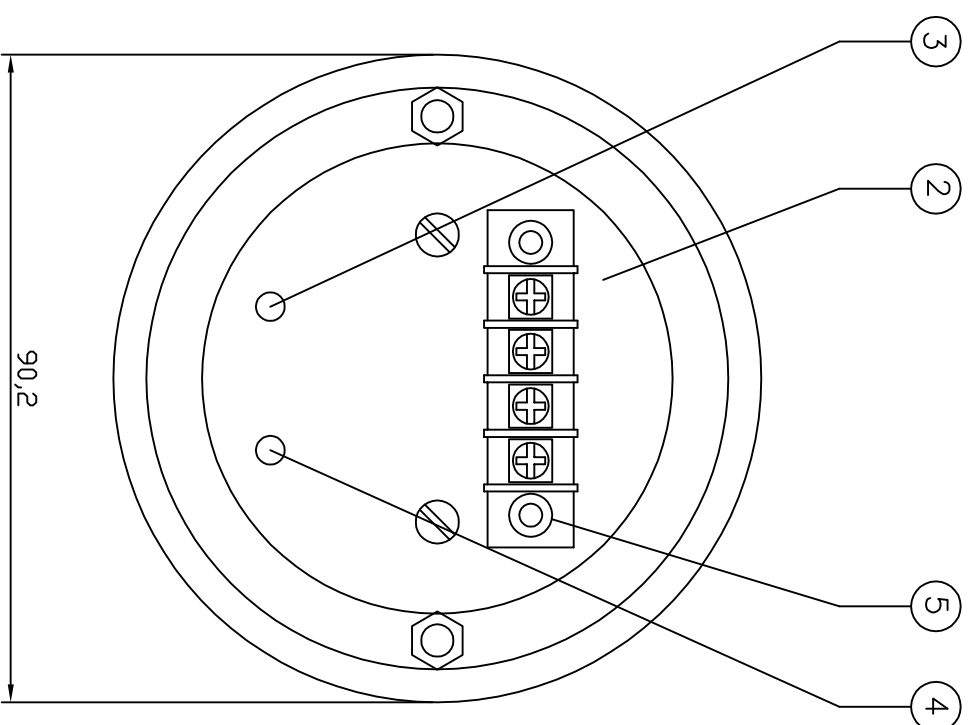
① Cassa strumento  
Instrument case

② Fondello  
Rear of instrument

③ Pulsante UP  
Push button UP

④ Pulsante DOWN  
Push button DOWN

⑤ Morsetiera  
Terminal block



Dimensioni in mm / All dimensions are in mm

Rev:	Date:	Descrizione modifiche - Description of changes:	SAN GIORGIO S.E.I.N. GENOVA - ITALY		
0	29/01/16	Prima emissione	Tel. 010-8301222 - www.sangiorgiosein.com		
			Dimensionale contagiri serie Cromata 85mm		
			Dimensional tachometer series Chrome 85mm		
			Number:	Sheet:	Date:
			D160208	1/1	29/01/16
			Size:		
			A3		
			Checked:	Approved:	
			Garzi P.	Manuelli M.	Manuelli M.