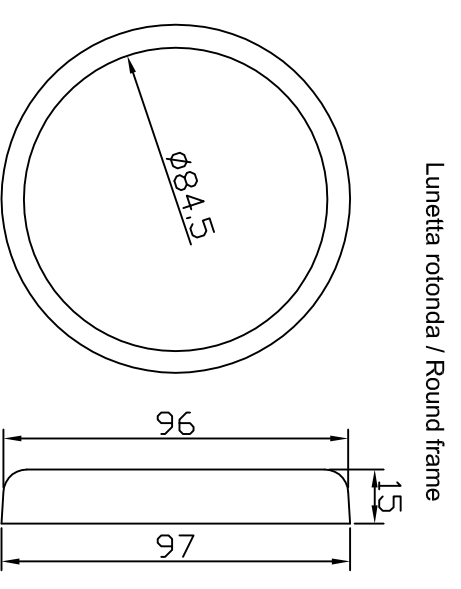
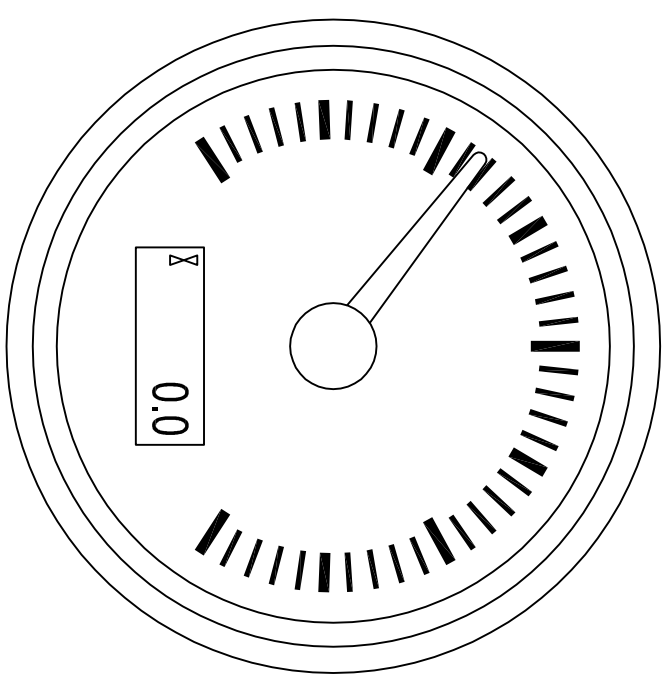
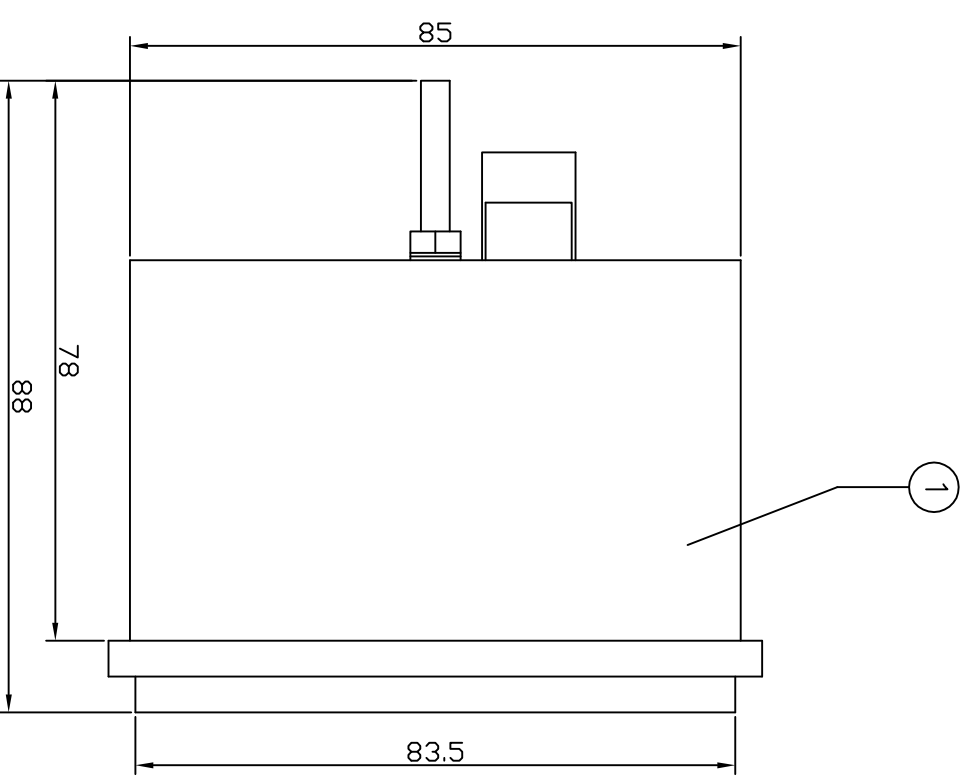
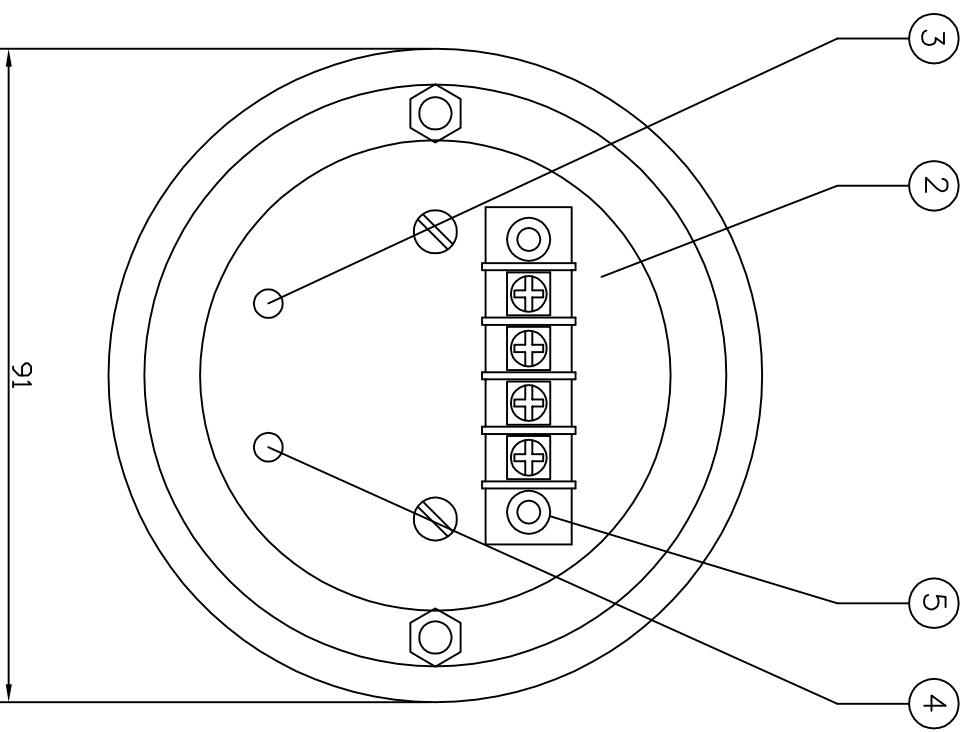


- ① Cassa strumento / Instrument case
- ② Fondello / Rear of instrument
- ③ Pulsante UP / Push button UP
- ④ Pulsante DOWN / Push button DOWN
- ⑤ Morsettiere / Terminal block



Lunetta rotonda / Round frame

Dimensioni in mm / All dimensions are in mm

Rev:	Date:	Descrizione modifiche - Description of changes:		
0	29/01/16	Prima emissione		
			<b>SAN GIORGIO S.E.I.N. GENOVA - ITALY</b>	
			Tel. 010-8301222 - <a href="http://www.sangiorgiosein.com">www.sangiorgiosein.com</a>	
			Dimensionale contagiri serie RQ85	
			Dimensional tachometer series RQ85	
		Number:	Sheet:	Date:
		D160207	1/1	29/01/16
		Size:		
		A3		
		Completed:	Checked:	Approved:
		Garsi P.	Manuelli M.	Manuelli M.