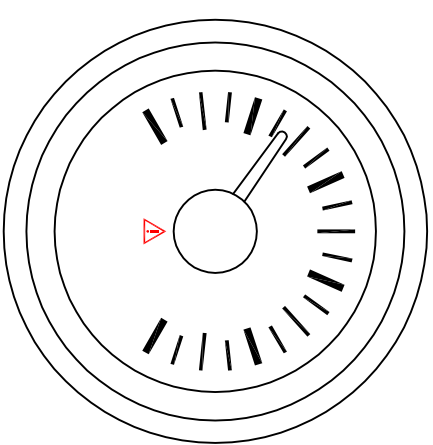
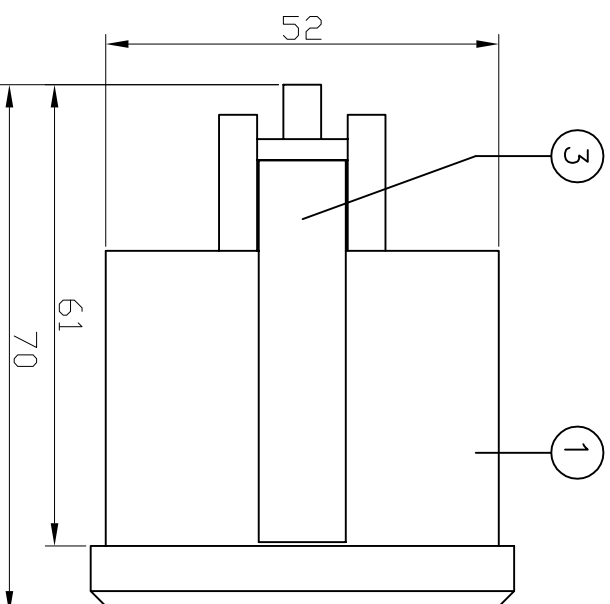
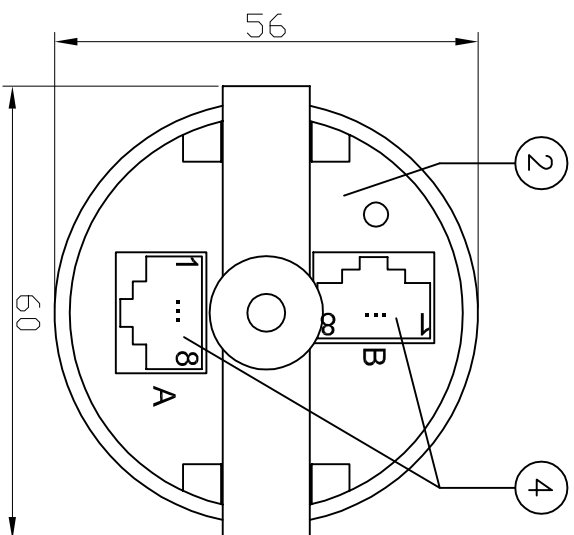


- ① Cassa strumento / Instrument case
- ② Fondello / Rear of the instrument
- ③ Staffa fissaggio / Mounting bracket
- ④ Connettore RJ45 / RJ45 Connector



Dimensioni in mm / All dimensions are in mm

Rev:	Date:	Descrizione modifiche - Description of changes:
0	29/01/16	Prima emissione
SAN GIORGIO S.E.I.N. GENOVA - ITALY		
Tel. 010-8301222 - www.sangiorgiOSEiN.com		
Dimensionale Indicator OmniliNK serie Cromata 52mm Dimensional Indicator OmniliNK series Chrome 52mm		
Number:	Sheet:	Date:
D160204	1/1	29/01/16
Completed:	Checked:	Approved:
Garzi P.	Mannelli M.	Mannelli M.
		Size:
		A4